



*...connecting to the aftermarket*

## CT24VL12

### Single DIN Fascia Plate for Volvo vehicles



#### Vehicle Application

---

- Volvo C30 (P14) 2007–2013 (Hatchback)
- Volvo S40 II (P11) 2004–2012 (Saloon)
- Volvo V50 (P12) 2004–2012 (Estate)
- Volvo C70 II (P15) 2006–2013 (Convertible)

#### Key Features

---

- This fascia kit allows the installation of an aftermarket head unit into a non din sized aperture
  - High quality finish designed to match the vehicle dashboard
  - Fascia kit supplied with mounting bracket

***www.connects2.com***

Designed and  
Engineered  
in the UK. 

*The information provided in this document is subject to change without notice due to changes and/or improvements to the product/s.*

## ABOUT THIS PRODUCT

---

### CT24VL12

Single DIN Fascia Plate (Matte Black) for Volvo vehicles.

## INSTALLATION KIT INCLUDES

---

1x Single DIN Fascia Plate  
1x Metal Bracket  
2 x Clip Mount  
4 x M5 x 8 Screws

## TOOLS NEEDED

---

Screwdriver (T20 screws)  
Bojo panel removers

## PRIOR TO INSTALLATION

---

*Read the manual prior to installation. Technical knowledge is necessary for installation. The place of installation must be free of moisture and away from heat sources. Please ensure that the correct tools are using during the installation to avoid damage to the vehicle or product. **Connects2 can not be held responsible for the installation of this product.***

## TECHNICAL SUPPORT

---

Connects2 Ltd. want to provide a fast and suitable resolution to any problems encountered during installation of this product. To get in touch with our dedicated technical support team, please fill in a ticket at [support.connects2.com](https://support.connects2.com) and provide as much information as possible.

---

## FOLLOW US ON SOCIAL MEDIA

for all the latest updates



[/CONNECTS2](https://www.youtube.com/channel/UC...)  
Watch us on  
YouTube



[/CONNECTS2](https://www.facebook.com/CONNECTS2)  
Like us on  
facebook



[CONNECTS2LTD](https://www.instagram.com/CONNECTS2LTD)  
Follow us on  
instagram



[@CONNECTS2](https://twitter.com/CONNECTS2)  
Follow us on  
twitter



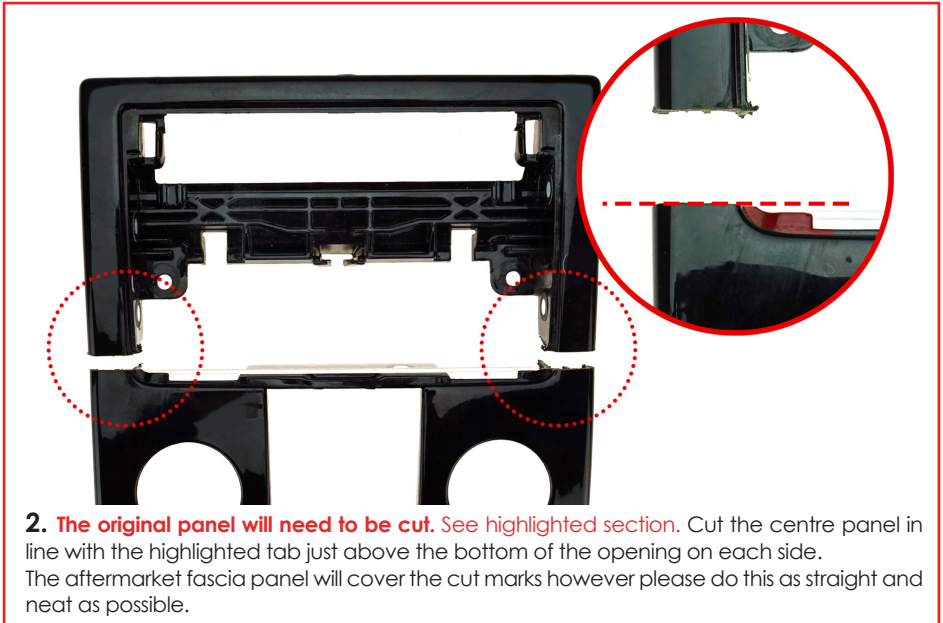
[CONNECTS2LTD](https://www.linkedin.com/company/CONNECTS2LTD)  
Follow us on  
linkedin



[CONNECTS2BLOG.COM](https://www.connects2.com/blog)  
Follow our blog on  
wordpress

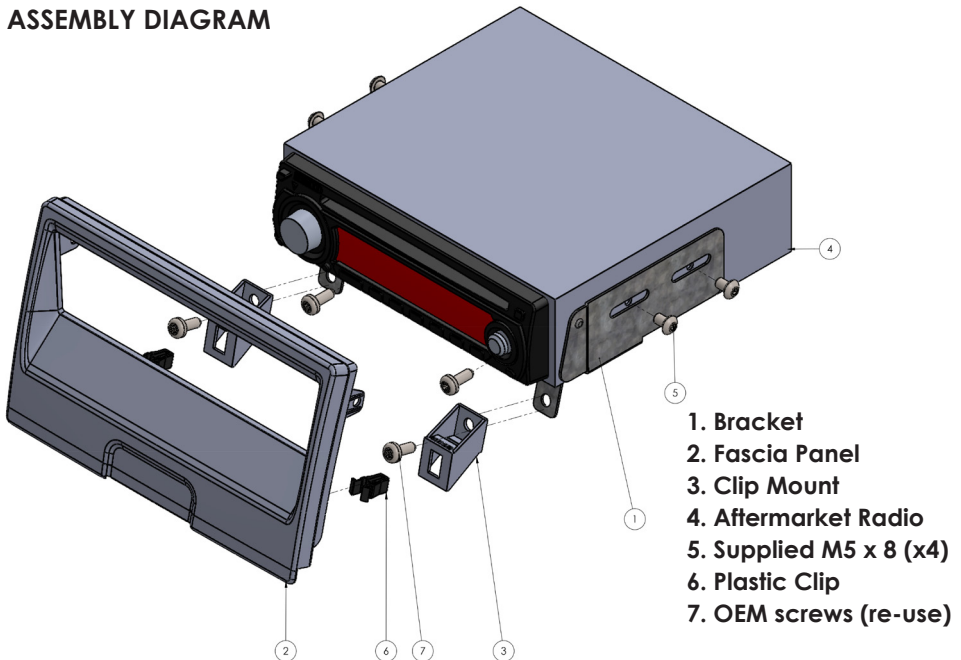
## FITTING GUIDE

1. Use a panel removal tool to carefully remove the OEM radio and centre panel of the car.



2. **The original panel will need to be cut.** See highlighted section. Cut the centre panel in line with the highlighted tab just above the bottom of the opening on each side. The aftermarket fascia panel will cover the cut marks however please do this as straight and neat as possible.

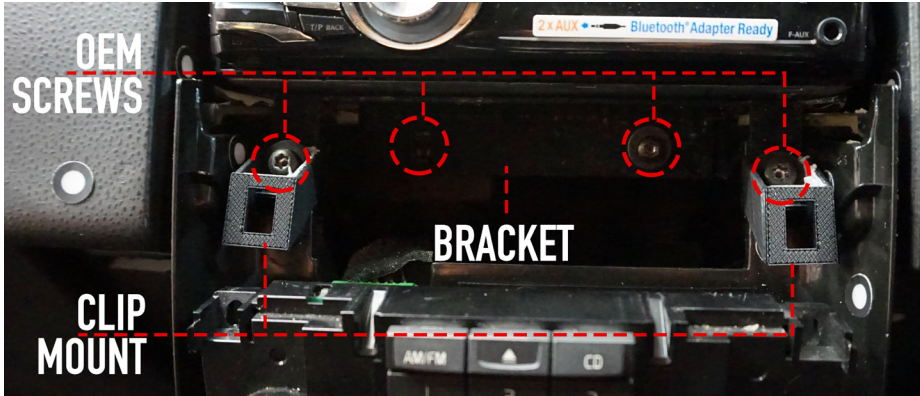
## ASSEMBLY DIAGRAM



## FITTING GUIDE

---

3. Use supplied M5 x 8 screws (x4) to attach the bracket to the aftermarket stereo.
4. Use OEM screws to secure the bracket and stereo into the open dash of the vehicle.
5. Use the supplied clip mounts (x2) and OEM screws to secure into the open dash of the vehicle as pictured.



6. Re install OEM centre console panel.
7. Attach clips to fascia panel as pictured in assembly diagram.
8. Push fascia panel in to place. Fascia panel should clip into place, lining up clips in to clip mount brackets. Fascia lip will cover cut OEM centre panel as pictured.

